



LITHIUM SERIES® II Electric Torque Tool

The LITHIUM SERIES II Electric Torque Tool is the next revolution in bolting technology redesigned from the ground up with expanded functionality, greater durability, and intuitive usability. This lightweight 36 Volt battery powered tool, with capacity up to 5,000 ft-lbs, is the ultimate solution for strength and portability in industrial bolting jobs worldwide. This tool is compatible with conventional sockets, the HYTORC Washer, and the HYTORC Nut.

FEATURE LIST



- **TorcSense™ Technology**
- **Brushless Motor**
- **All Aluminum Housing**
 - High Strength Gearbox
 - Nickel Plated
 - Rear Shock Guard
 - Work Light
 - High Resolution Display
- **Directional Switch**
- Snug Function
- **Intuitive User Interface**
 - Access Levels
 - Data Acquisition
- **Bluetooth Wireless Technology**
 - Expanded Job Data Management
 - Advanced Bolting Features
- **Compatible with HYTORC Nut**
- **Compatible with HYTORC Washer**

- Look inside for detailed information about the highlighted features above.

TESTIMONIAL

"I HAVE BEEN AROUND PLENTY OF BOLTING TOOLS, SEEN MANY TOOLS USED. BUT THIS IS REALLY COOL! IT'S LIGHTER THAN I EXPECTED, IT'S REALLY FOOL PROOF, AND SO SIMPLE THAT ANYONE CAN GET THE JOB DONE. THE GUYS ARE GOING TO BE ABLE TO WORK LONGER AND SAFER, WHILE STILL GETTING THE JOB DONE RIGHT. I LOVE IT!"

Kyle Chambers
Texas Quality Assurance



TorcSense™ Technology



A direct torque measurement system utilizing a strain based transducer in a closed loop monitoring system provides more repeatable torque and enables advanced bolting features.

BRUSHLESS 36V DC MOTOR



The tool uses an all new 36V brushless DC motor which runs cooler, quieter, and has significantly longer life.

INTUITIVE USER INTERFACE



The home screen and menu structure have been redesigned with all new icons, indicators, and simple navigation layout making the tool intuitive and simple to use.

HYTORC



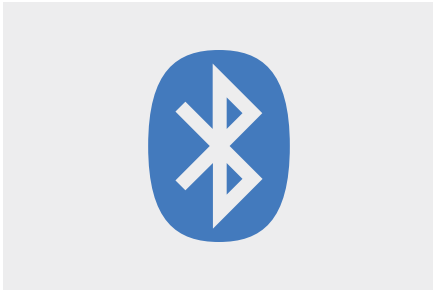
SERVICE AND SUPPORT

HYTORC STANDARD



With over 50 years of experience focused entirely on developing the highest quality industrial bolting systems, HYTORC remains committed to higher performance and service and offers superior technology, quality, and support.

BLUETOOTH WIRELESS TECHNOLOGY



Now standard with Bluetooth wireless technology, the tool makes data transfer easier than ever! Job data and tool firmware upgrades can now be performed wirelessly.

MULTIPLE TOOL CONFIGURATIONS



The tool is easily configured for conventional sockets and reactions arms, the HYTORC Washer System, and precision mechanical tensioning with the HYTORC Nut.

CUSTOMER SERVICE



There is no bolting challenge too big or too small. Reach out to us today and let us know how we can help improve your productivity through advancements in bolting.

ALL-ALUMINUM HOUSING



The new all-aluminum housing vastly improves impact resistance and durability protecting the tool's vital components. The gearbox is also nickel plated for corrosion resistance.

DIRECTIONAL SWITCH



Conveniently located near the trigger, the sliding directional switch can quickly change drive direction from tighten and loosen with a simple push of a button.

HYTORC WARRANTY

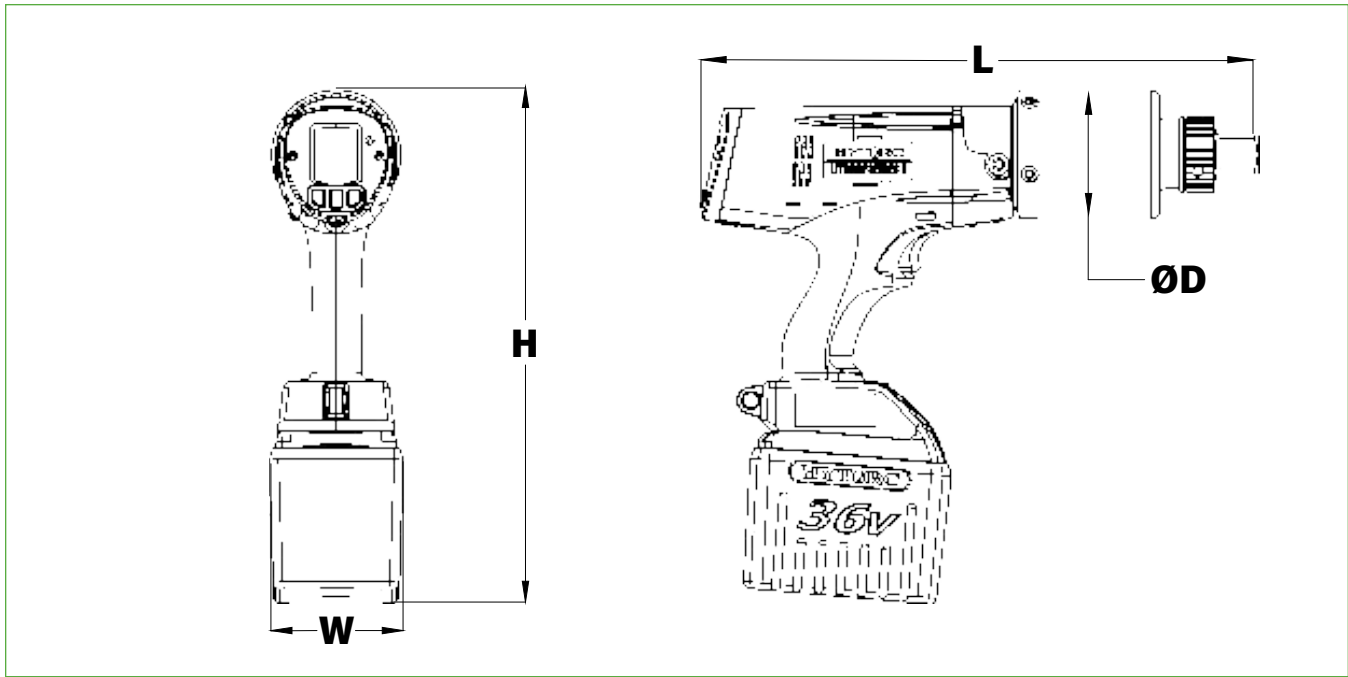


- All repairs are guaranteed for 6 months
- One-Year warranty
- 5-Year tool housing warranty

VISIT US ONLINE

hytorc.com/standard
hytorc.com/customer-service-policy
hytorc.com/about-us

LITHIUM SERIES® II Electric Torque Tool



LEGEND: H = HEIGHT W = WIDTH L = LENGTH ØD = DIAMETER

CONFIGURATIONS	H	W	L	D	DRIVE	WEIGHT W/ BATTERY	SNUG		TORQUE	
IMPERIAL	in.					lbs.	ft-lbs (Min)	ft-lbs (Max)	ft-lbs (Min)	ft-lbs (Max)
LST-0700	12.9	3.5	11.4	2.6	3/4	11.7	35	149	150	700
LST-1200	12.9	3.5	11.7	2.6	3/4	12.0	60	199	200	1,200
LST-2000	13.2	3.5	13.9	3.2	1	16.6	100	324	325	2,000
LST-3000	13.3	3.5	14.4	3.4	1	17.7	150	499	500	3,000
LST-5000	16.6	4.0	15.4	4.0	1-1/2	22.4	200	799	800	5,000
METRIC	mm				in.	kg	Nm (Min)	Nm (Max)	Nm (Min)	Nm (Max)
LST-0700	328	89	290	66	3/4	5.3	47	202	203	949
LST-1200	328	89	297	66	3/4	5.5	81	270	271	1627
LST-2000	335	89	353	81	1	7.5	135	439	440	2712
LST-3000	338	89	366	86	1	8.0	203	676	677	4067
LST-5000	422	102	391	102	1-1/2	10.2	270	1083	1085	6779

COMPLETE KIT CONTENTS

- LITHIUM SERIES II Tool
- Reaction Arm
- Storage Case
- 36V Battery (Two)
- Battery Charging System
- Side Handle
- Calibration Certificate
- Operation Manual

LST

Model:
LITHIUM SERIES TOOL

Capacity:
Available: 0700, 1200,
2000, 3000, 5000

Communication:
Blank: Bluetooth Communication
U: USB Only

Examples:

1. LST-0700 standard tool, 700 ft-lb capacity, with Bluetooth Communication
2. LST-0700-U standard tool, 700 ft-lb capacity, without Bluetooth – USB Connection Only



Headquarters:
333 Route 17 N., Mahwah, NJ 07430
+1-201-512-9500

Email:
info@hytorc.com

Phone:
1-800-FOR-HYTORC

Online:
hytorc.com