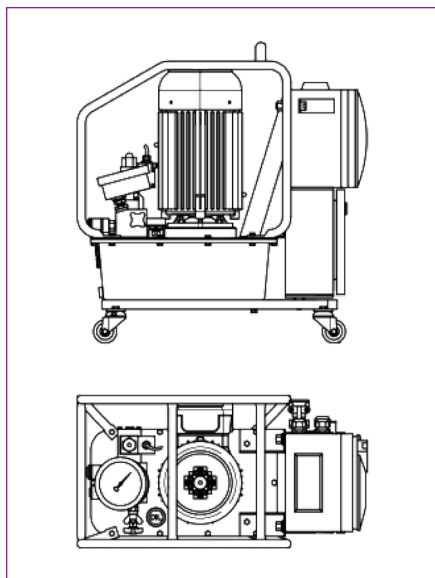




HY-EX 3-STAGE - EXPLOSION-PROTECTED ELECTRIC PUMPS

HYTORC HY-EX 3-Stage Electric Pumps are the backbone of an intrinsically safe bolting system. The pump is licensed to EU-Directive 2014/34/EU (Atex 100a) class: 2014/34/EU. These pumps are equipped with a calibrated gauge with certificate and a 15-ft (5m) remote control. An optional 4-tool adapter is also available.



PUMP SPECIFICATIONS AND FEATURES

| | | |
|---|--|---|
| Power | 115v (20 Amp), 230v (9 Amp), 400v (2,5 Amp) | |
| Data Recording | No | |
| Gauge | 0-10 k PSI (+/-1% Accuracy) | |
| Reservoir Capacity | 2 gals. / 7.5 l | |
| Stages | 3 | |
| Weight | ~112 lbs / 51 kg - without oil (400v) ~157 lbs / 71 kg - without oil (115/230v) | |
| Maximum Oil Flow Rate 1,000 PSI 70 bar | 50 Hz 510 cu.in./min. 8,0 l/min. | 60 Hz 620 cu.in./min. 10 l/min. |
| Middle Oil Flow Rate 4,000 PSI 300 bar | 50 Hz 100 cu.in./min. 1,6 l/min. | 60 Hz 120 cu.in./min. 2,0 l/min. |
| High Oil Flow Rate 10,000 PSI 700 bar | 50 Hz 55 cu.in./min. 0,9 l/min. | 60 Hz 65 cu.in./min. 1,1 l/min. |
| Oil Cooler | No | |

HYTORC

Headquarters:
333 Route 17 N., Mahwah, NJ 07430
+1-201-512-9500

Email:
info@hytorc.com

Phone:
1-800-FOR-HYTORC

Online:
hytorc.com