



ICE® Hydraulic Torque Wrench

The ICE is the culmination of 50 years of research and development dedicated to industrial bolting. Featuring patented industry-first innovations, the ICE is the most advanced hydraulic bolting system available today.

AUTO RELEASE SYSTEM



The ICE can automatically release itself when locked on a bolt. This reduces unplanned interruptions in the bolting process.

TOTAL-FREEDOM UNISWIVEL

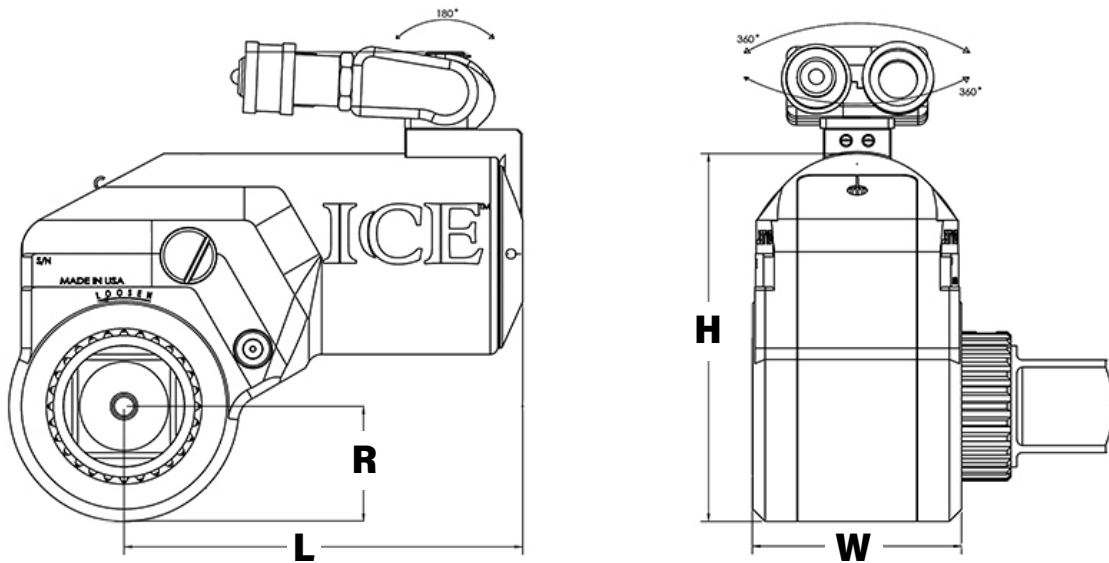


The ICE is the world's only hydraulic bolting system that allows for fast and flexible positioning without the constraints normally associated with hydraulic hoses.

MULTI-USE SYSTEM



The ICE works with all HYTORC bolting systems including fastening with the HYTORC Nut (1) and the revolutionary new HYTORC Washer (2).



LEGEND: H = HEIGHT W = WIDTH L = LENGTH R = RADIUS

MODEL NUMBER	H	W	L	R	SQUARE DRIVE	WEIGHT	TORQUE	
IMPERIAL	in.					lbs.	ft-lbs (Min)	ft-lbs (Max)
ICE - .7	4.60	1.85	3.75	1.00	3/4	4.55	117	806
ICE - 1	5.17	2.18	4.43	1.13	3/4	6.00	196	1,284
ICE - 3	6.58	2.90	5.53	1.52	1	10.00	460	3,084
ICE - 5	7.63	3.38	6.44	1.80	1-1/2	18.00	804	5,360
METRIC	mm				in.	kg	Nm (Min)	Nm (Max)
ICE - .7	117	47	95	25	3/4	2.07	159	1092
ICE - 1	131	55	113	29	3/4	2.73	266	1740
ICE - 3	167	74	140	39	1	4.55	623	4179
ICE - 5	194	86	164	46	1-1/2	8.18	1089	7263

The World's Most Trusted Industrial Bolting Systems



Headquarters:
333 Route 17 N., Mahwah, NJ 07430
+1-201-512-9500

Email:
info@hytorc.com

Phone:
1-800-FOR-HYTORC

Online:
hytorc.com